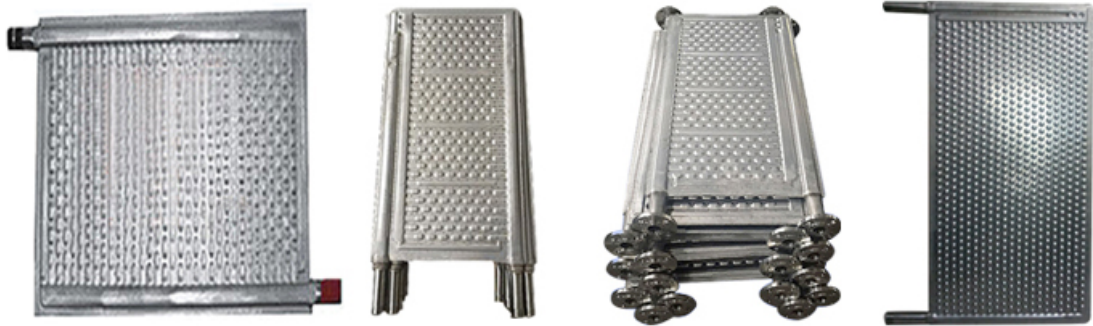
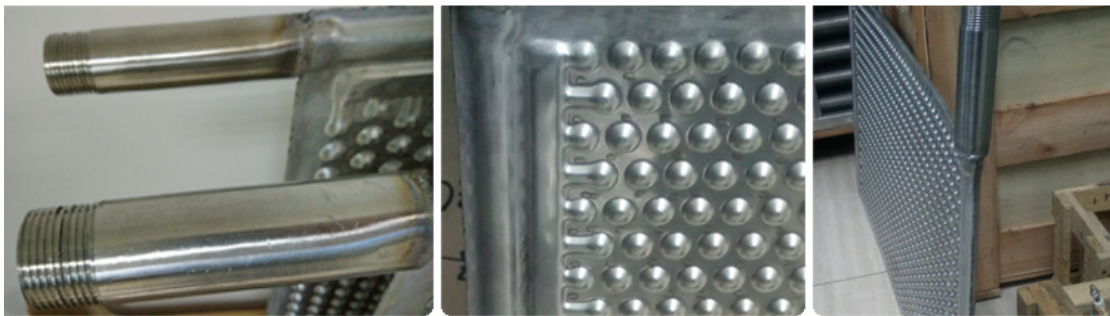
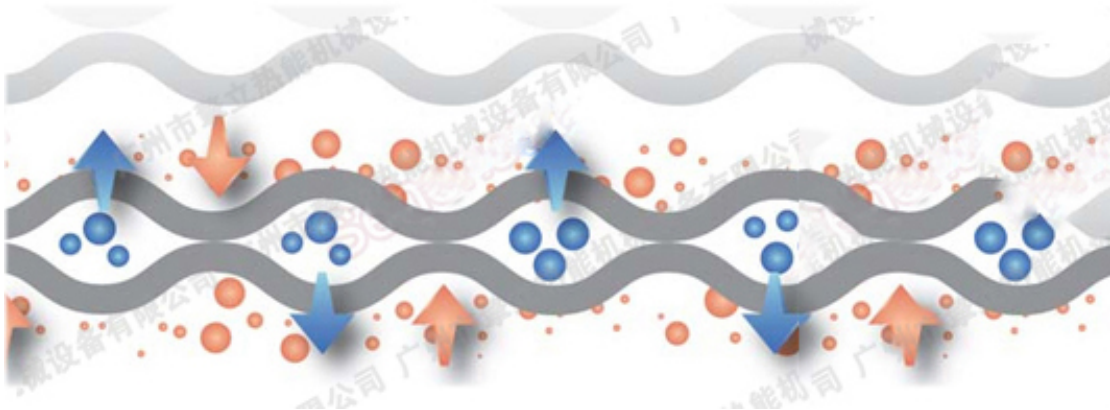


Immersion type Plate Heat Exchanger



Heat exchanger transfer heat energy from stream or liquid(through the plate)into liquid , cooling or heating the liquid inside.

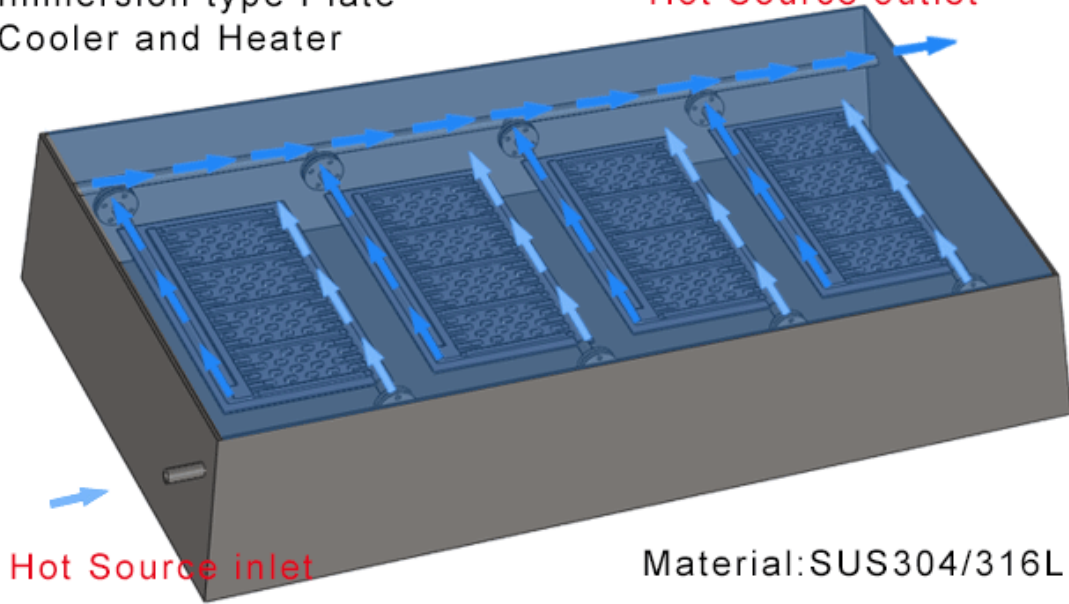


TYPICAL APPLICATIONS

- 1、 chemical surface treatment
- 2、 coating industry
- 3、 Acid liquid heating
- 4、 pool or tank water heating
- 5、 other liquid(steam) to liquid heat exchange

Immersion type Plate Cooler and Heater

Hot Source outlet



Hot Source inlet

Material:SUS304/316L

EXCELLENT FEATURES

Suitable for low pressure immersion heat exchange, higher efficiency than plate heat exchangers

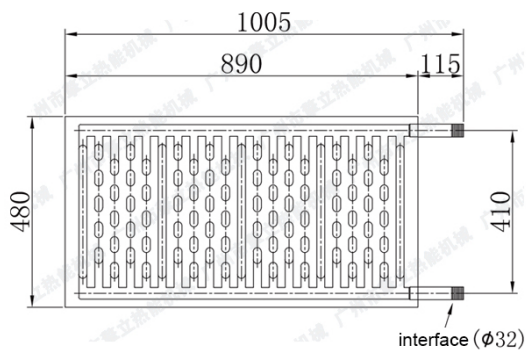
Material:SUS304\SUS316

Design Pressure:0.6Mpa

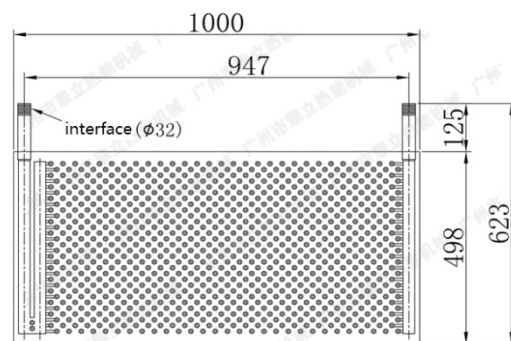
Test pressure:0.85Mpa

working temperature:-20~280°C

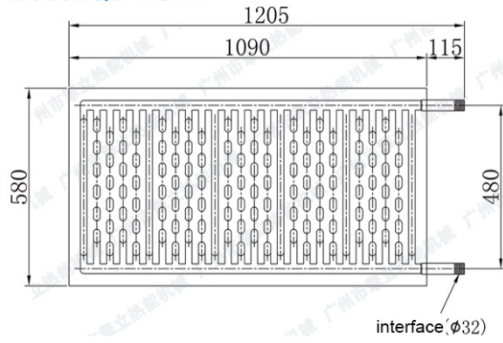
Model:QL-1.0



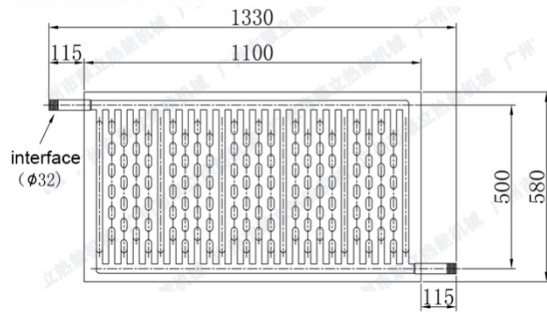
Model: QL-1.2



Model:QL-1.5-H



Model:QL-1.5-Z



Model	1.0	1.2	1.5-H	1.5-Z
Dimensions	480x1005x26	623x1000x25	580x1205x26	580x1330x26
NET Weight	7kg	7.3kg	10.6kg	10.6kg
Heat transfer area(m2)	1.0	1.2	1.5	1.5

GUANGZHOU QINGLI THERMAL ENERGY EQUIPMENT CO.,LTD

No.13,SongZhuang,LianTang Industrial Zone,XinHua Town,HuaDU District,GUANGZHOU

Tel : 86-020-66657361

E-mail:tpy@gzqingli.com /Web Site:www.enqingli.com/www.qlheat.com